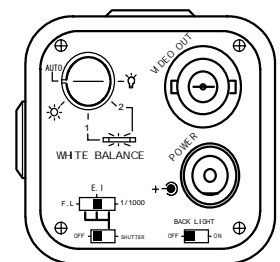
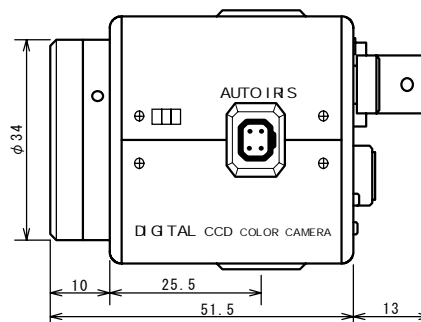
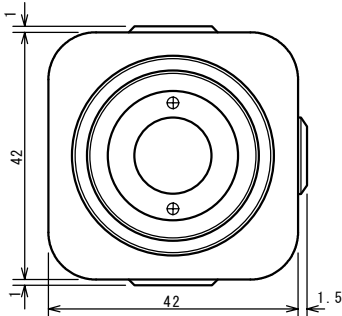


WAT-204CX Coaxial transmission camera

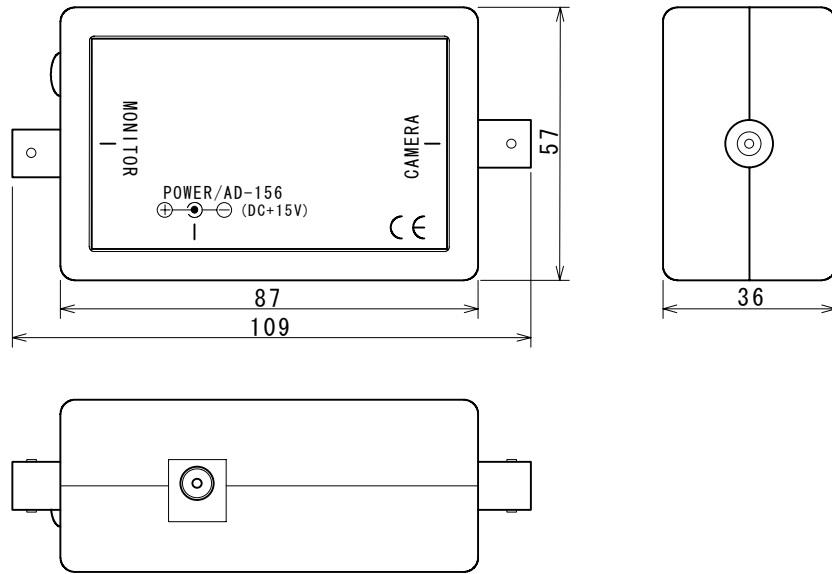
【SPECIFICATIONS】

Model	WAT-204CX (NTSC, PAL)
Pick-up element	1/3inch Interline transfer CCD image sensor
Number of total pixels	811(H) × 508(V) (NTSC); 795(H) × 596(V) (PAL)
Number of effective pixels	768(H) × 494(V) (NTSC); 752(H) × 582(V) (PAL)
Unit cell size	6.35 μm(H) × 7.4 μm(V) (NTSC); 6.5 μm(H) × 6.25 μm(V) (PAL)
Scanning system	2:1 interlace
Synchronizing system	Internal
Video output	Composite Video, 1Vp-p, 75ohm Unbalanced
Resolution(Horizontal)	450TV lines(center)
Minimum illumination	1.0 lx. F1.2 (AGC High) 4.0 lx. F1.2 (AGC Low)
Gamma correction	$\gamma \cong 0.45$ (ON), 1.0 (OFF)
AGC	ON=8~36dB(High), 8~24dB(Low) / OFF=fix 12dB
S/N Ratio	50dB(AGC OFF, $\gamma=1$)
AE mode	EI(Electronic Iris) 1/60 ~ 1/100000sec. (NTSC) 1/50 ~ 1/100000sec. (PAL)
	FL(Flicker Less) 1/100sec. (NTSC), 1/120sec. (PAL)
	1/1000 sec.
White balance	Auto trace Preset : 3200K, 4200K, 5100K, 6300K
Lens mount	CS-mount
Installation screw	U 1/4inch (D=5mm) (Top/Bottom)
Connection terminal	(WAT-204RX) Video out(BNC), Camera in(BNC), Power
Power supply	DC +15.0~16.5V(15V+10%) : WAT-204CX + WAT-204RX DC +10.8~13.2V(12V±10%) : WAT-204CX
Current	max. 300mA (3C2V at 100m in length)
CX-RX extension distance	max. 100m(3C2V) / 180m(5C2V)
Operating temperature	-10°C ~ +40°C
Storage temperature	-30°C ~ +70°C
Dimensions	43.5(W) × 44.0(H) × 64.5(D)mm (WAT-204CX)
Weight	Approx. 160g (WAT-204CX)
Accessories	Receiver (WAT-204RX), Power supplies (AD-156) Hex key wrench, Iris-plug(AIC)

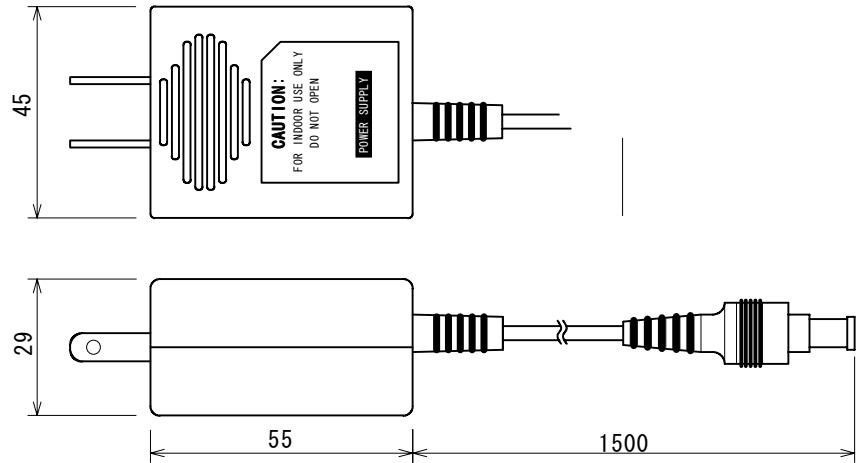
【DIMENSIONS】 (mm)



Receiver WAT-204RX



Power supplies AD-156



Power supplies AD-156

